



About EARLS

Your choice for quality spreaders and related equipment.



EARLS Industries

About the Company

EARLS is a dynamic, 3rd generation family owned and directed company currently in our 59th year of continuous operation in the Vancouver, Canada area. Over the course of the past several decades EARLS has grown to become a full fledged engineered product manufacturer. Currently we have equipment working throughout the western hemisphere and we are looking to add customers, partners, and agent representation around the world.

Our Manufacturing Facility

Our Metro Vancouver plant is located in the suburb of Port Coquitlam where we have a 21,000 sq ft factory and 7,500 sq ft office located on a 1.4 acre industrial property. The factory consists of three bays, one each for machining, welding/fabricating, and electro-hydraulic & mechanical assembly. All EARLS spreaders are built to order at this location.

Total Commitment

EARLS total commitment to the customer encompasses all aspects of product development, design, manufacture, marketing, and after sales service. The delivery of a product to a customer marks the beginning of a permanent relationship.

Our Location

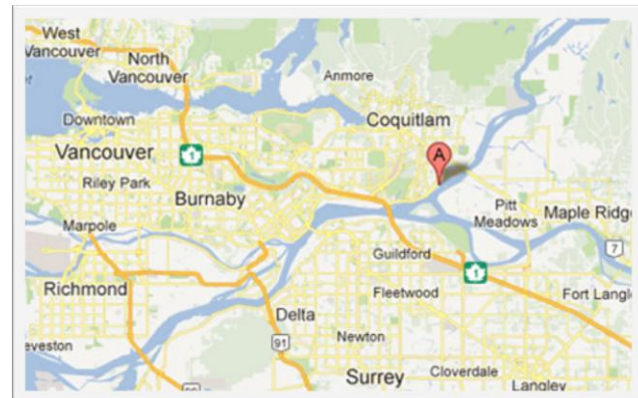
EARLS Industries Ltd.

Address: 1616 Kebet Way, Port Coquitlam, BC, V3C 5W9, Canada

Phone: +1 604-941-8388

Fax: +1 604-941-8302

Web: www.earlsindustries.com



Local Support Partner - India

Chirayush I. Gandhi

Director Sales and Technical Support.

BSc, MSc, B-Econ, MBA, NY Univ, & Univ of Boston

Email: cigandhi@emcogroup.co.in

Emco Group Companies

Address: 5/6 Magnum Opus Plaza, Shantinagar, Vakola, Mumbai 400055.

Phone: 91-22-2-6651771/2/4/5/6/7.

Web: www.indiamart.com/emcogroup



Tire Manipulator

Heavy Duty Construction Tire Handler
Side Shift/Side Tilt/Pad Rotation

443/448/988



Mount Options

- ✓ Quick connect
- ✓ Integral mount
- ✓ Will fit most front end loaders or lift trucks

Models

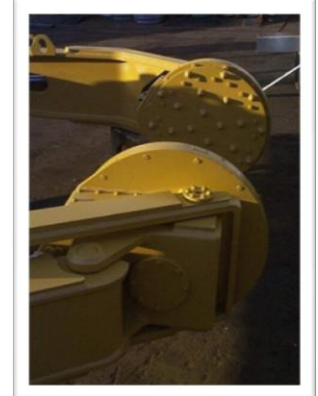
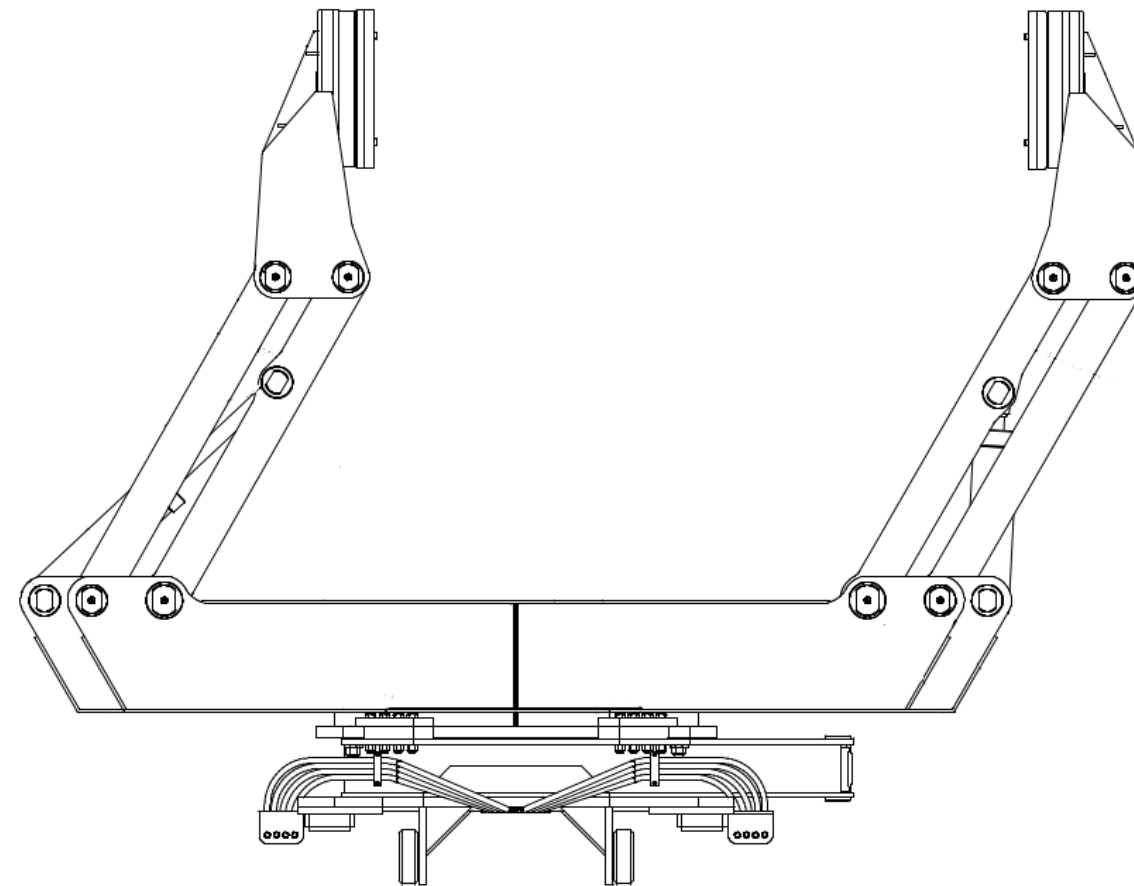
- ✓ Many models with varying weights and capacities
- ✓ Capacities ranging from 7200 lbs up to 25000 lbs
- ✓ See specifications below for more details

Functions

- ✓ Side tilt (manipulator body rotation)
- ✓ Clamping, up to 168" opening
- ✓ Side shift
- ✓ Pad rotation, continuous in either direction

Total Life Cost

- ✓ Heavy duty design
- ✓ Low maintenance
- ✓ Long life expectancy
- ✓ Low life cost



Quality Equipment & Committed Service

EARLS heavy duty tire manipulators are designed and manufactured from start to finish in our metro Vancouver facility. We pride ourselves on creating a top notch product that is second to none. With unmatched build quality and customer service we will see to it that you get the value you want and the performance you need.

Model 443

Opening Range:	21" to 125"
Capacity:	7200 lbs
Side Shift:	Up to 52"
Side Tilt:	+/- 7.5°
Pad Rotation:	90°
Weight:	6100 lbs

Model 448

Opening Range:	38" to 151"
Capacity:	10000 lbs
Side Shift:	Up to 57"
Side Tilt:	+/- 45°
Pad Rotation:	Continuous
Weight:	6900 lbs

Model 448HD

Opening Range:	40" to 156"
Capacity:	15500 lbs
Side Shift:	Up to 58"
Side Tilt:	+/- 45°
Pad Rotation:	Continuous (high torque)
Weight:	8500 lbs

Model 988

Opening Range:	46" to 168"
Capacity:	25000 lbs
Side Shift:	Up to 61"
Side Tilt:	+/- 45°
Pad Rotation:	Continuous (high torque)
Weight:	9500 lbs