



About EARLS

Your choice for quality spreaders and related equipment.



EARLS Industries

About the Company

EARLS is a dynamic, 3rd generation family owned and directed company currently in our 59th year of continuous operation in the Vancouver, Canada area. Over the course of the past several decades EARLS has grown to become a full fledged engineered product manufacturer. Currently we have equipment working throughout the western hemisphere and we are looking to add customers, partners, and agent representation around the world.

Our Manufacturing Facility

Our Metro Vancouver plant is located in the suburb of Port Coquitlam where we have a 21,000 sq ft factory and 7,500 sq ft office located on a 1.4 acre industrial property. The factory consists of three bays, one each for machining, welding/fabricating, and electro-hydraulic & mechanical assembly. All EARLS spreaders are built to order at this location.

Total Commitment

EARLS total commitment to the customer encompasses all aspects of product development, design, manufacture, marketing, and after sales service. The delivery of a product to a customer marks the beginning of a permanent relationship.

Our Location

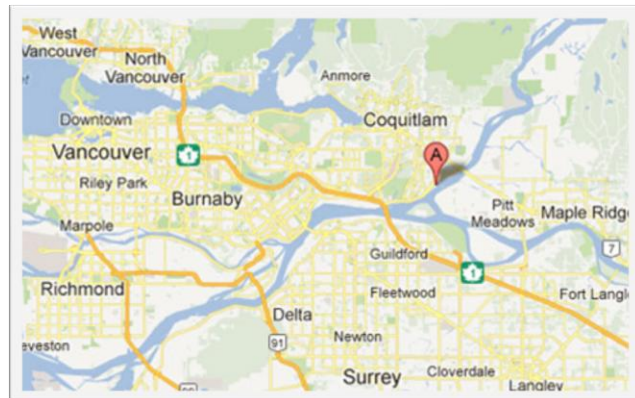
EARLS Industries Ltd.

Address: 1616 Kebet Way, Port Coquitlam, BC, V3C 5W9, Canada

Phone: +1 604-941-8388

Fax: +1 604-941-8302

Web: www.earlsindustries.com



Local Support Partner - India

Chirayush I. Gandhi

Director Sales and Technical Support.

BSc, MSc, B-Econ, MBA, NY Univ, & Univ of Boston

Email: cigandhi@emcogroup.co.in

Emco Group Companies

Address: 5/6 Magnum Opus Plaza, Shantinagar, Vakola, Mumbai 400055.

Phone: 91-22-2-6651771/2/4/5/6/7.

Web: www.indiamart.com/emcogroup



RTG/RMG Yard Crane Spreader

Rubber Tire/Rail Mounted Gantry Container Spreader
20'/40' Positions with a 45' Guide



Extension Cylinders

- ✓ Our spreaders are driven by hydraulic extension cylinders that are designed, engineered, and manufactured in house.
- ✗ EARLS spreaders are not chain driven.

Twistlock Pins & Nuts

- ✓ EARLS spreaders are equipped with fabricated twistlock pins and nuts that we manufacture in house.
- ✗ We do not use forged twistlock pins.

Replaceable Wear Pads

- ✓ Main & Secondary wear pads are replaceable.
- ✓ Nominal life expectancy of 3-5 years under normal use.

Flipper Details

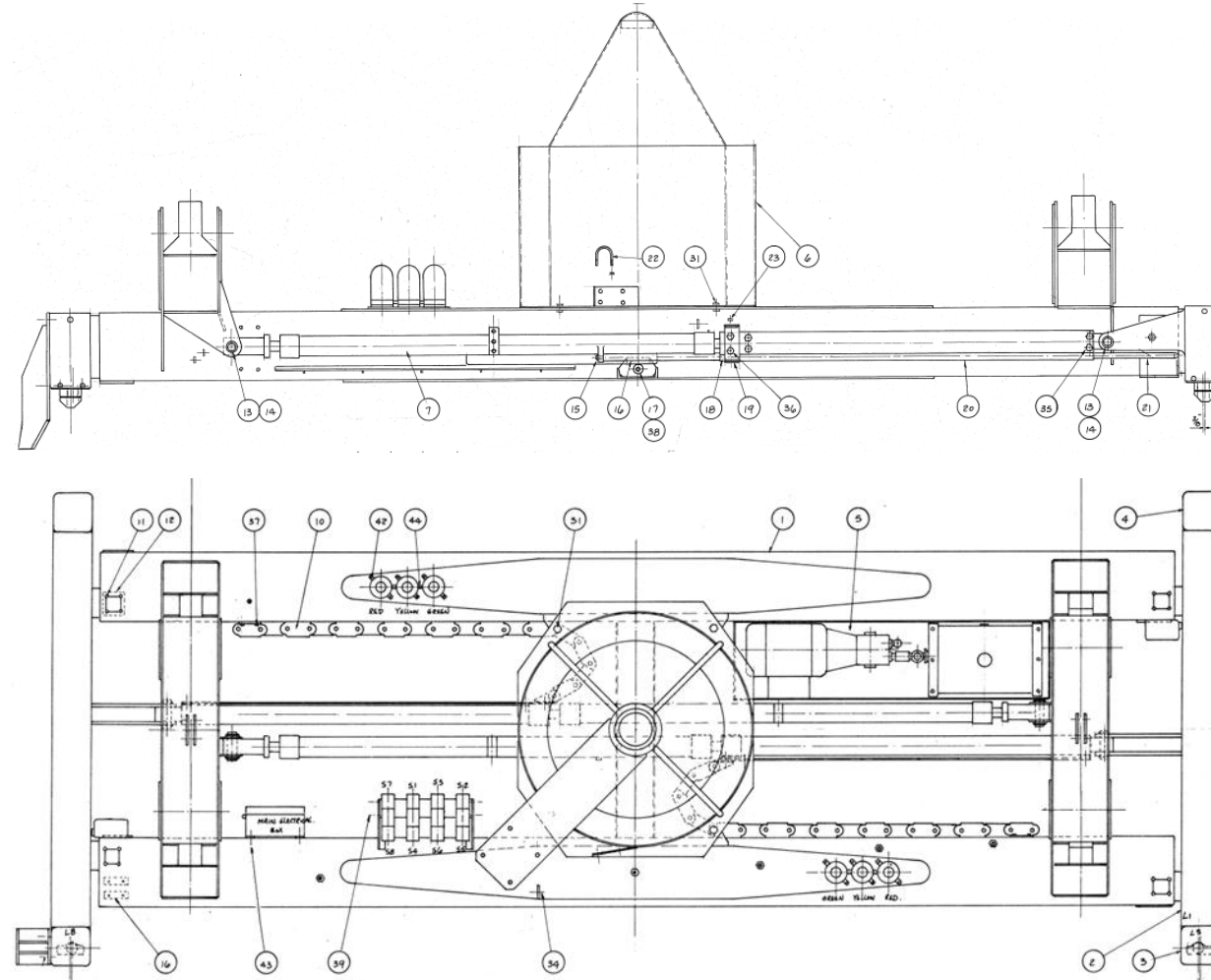
- ✓ 2 fixed flippers and 1 hydraulic-driven extending guide for 40' and 45' containers at the 40' position.

Total Life Cost

- ✓ High MMBF (mean moves between failure)
- ✓ Low MTTR (mean time to repair)
- ✓ Low TLC (total life cost)

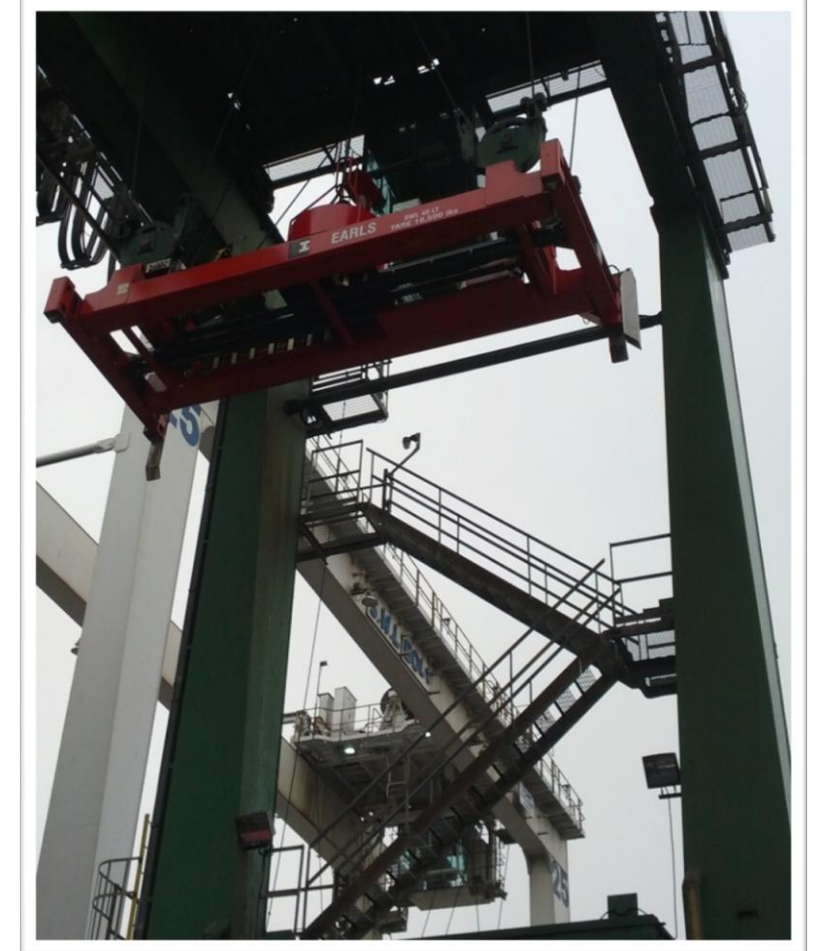
Low Profile

- ✓ Reduced height of the spreader maximizes the crane lift height.



Quality Spreaders & Committed Service

EARLS spreaders have become renowned at many ports around the world as one of the best pieces of equipment available. Our spreaders are built to order in a single facility and our product quality, support, and service are second to none. When you buy an EARLS spreader, in addition to getting a great product you are creating a lasting relationship.



Performance Data:

Extend (20' to 40')	38 seconds
Retract (40' to 20')	38 seconds
Guide Extension (45')	6 seconds
Guide Retraction (45')	6 seconds
Twistlock Pins (90° either way)	3 seconds

Capacity: 40 LT +/- 10%

Tare: 18,000 lbs (ready to work)

Fatigue: 1,200,000 cycles ???
to AISC Specs.

Materials: ASTM A514 & ASTM A572-50

Expansion Mode:

EARLS RTG/RMG Spreaders are designed and manufactured using telescoping hydraulic cylinders complete with shock absorbing relief valves.

- Paint: 3 Coat System (Devoe)
- Inorganic Zinc Primer
 - Epoxy Intermediate Coat
 - Aliphatic Polyurethane Top Coat