



## About EARLS

Your choice for quality spreaders and related equipment.



# EARLS Industries

### About the Company

EARLS is a dynamic, 3<sup>rd</sup> generation family owned and directed company currently in our 59<sup>th</sup> year of continuous operation in the Vancouver, Canada area. Over the course of the past several decades EARLS has grown to become a full fledged engineered product manufacturer. Currently we have equipment working throughout the western hemisphere and we are looking to add customers, partners, and agent representation around the world.

### Our Manufacturing Facility

Our Metro Vancouver plant is located in the suburb of Port Coquitlam where we have a 21,000 sq ft factory and 7,500 sq ft office located on a 1.4 acre industrial property. The factory consists of three bays, one each for machining, welding/fabricating, and electro-hydraulic & mechanical assembly. All EARLS spreaders are built to order at this location.

### Total Commitment

EARLS total commitment to the customer encompasses all aspects of product development, design, manufacture, marketing, and after sales service. The delivery of a product to a customer marks the beginning of a permanent relationship.

### Our Location

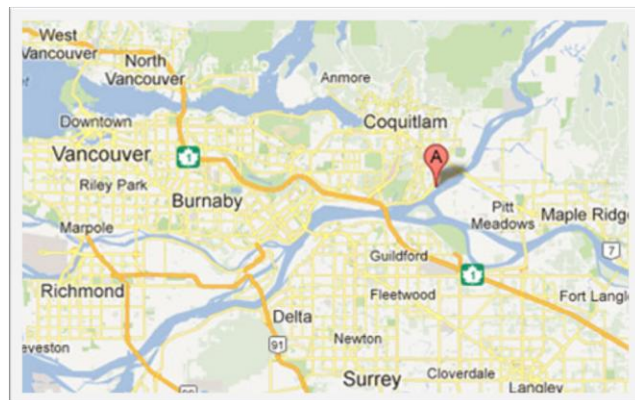
#### EARLS Industries Ltd.

**Address:** 1616 Kebet Way, Port Coquitlam, BC, V3C 5W9, Canada

**Phone:** +1 604-941-8388

**Fax:** +1 604-941-8302

**Web:** [www.earlsindustries.com](http://www.earlsindustries.com)



### Local Support Partner - India

#### Chirayush I. Gandhi

Director Sales and Technical Support.

BSc, MSc, B-Econ, MBA, NY Univ, & Univ of Boston

**Email:** [cigandhi@emcogroup.co.in](mailto:cigandhi@emcogroup.co.in)

#### Emco Group Companies

**Address:** 5/6 Magnum Opus Plaza, Shantinagar, Vakola, Mumbai 400055.

**Phone:** 91-22-2-6651771/2/4/5/6/7.

**Web:** [www.indiamart.com/emcogroup](http://www.indiamart.com/emcogroup)



MODEL #862

# MHC Spreader

Mobile Harbor Crane Ship to Shore Spreader

Fixed 20' & Fixed 40' Positions

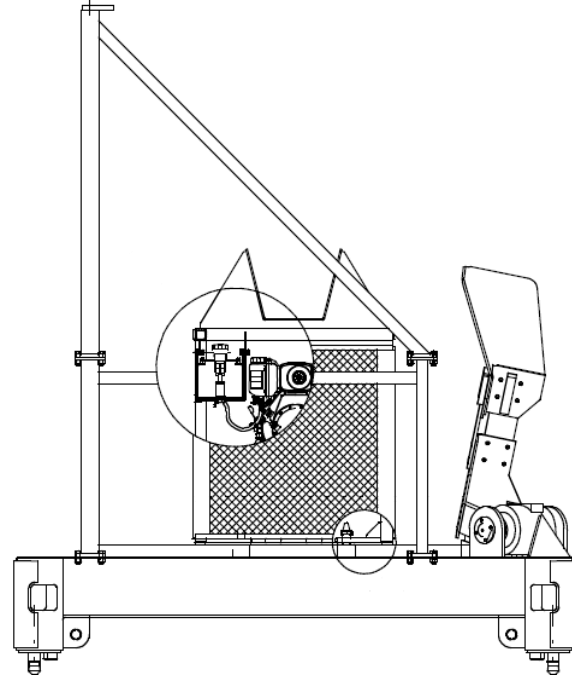


### ▪ Diesel Power

- ✓ Our MHC spreaders are equipped with a self contained integral diesel powered hydraulic power pack.
- ✓ Completely self contained.

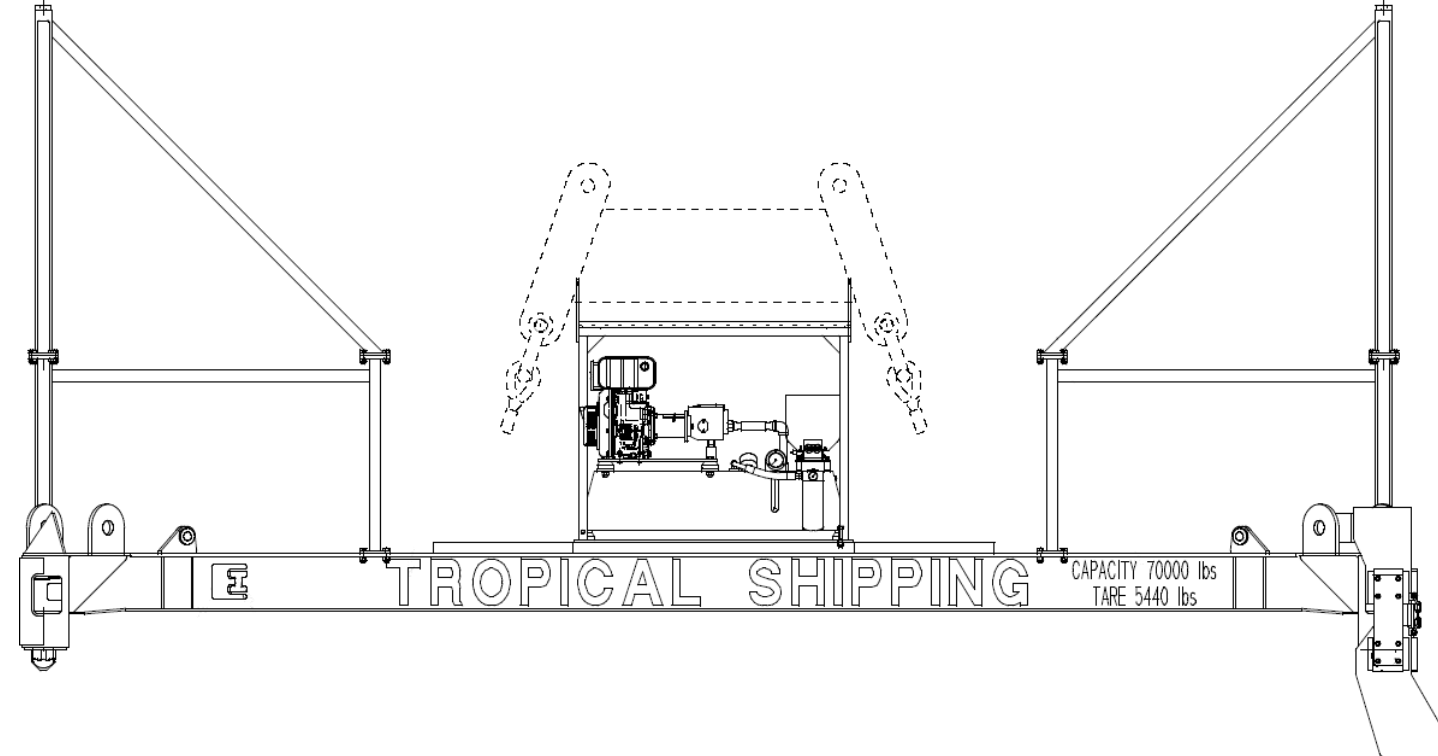
### ▪ Flipper Details

- ✓ HS-15 Rotary Actuators.



### ▪ Twistlock Pins & Nuts

- ✓ EARLS spreaders are equipped with fabricated twistlock pins and nuts that we manufacture in house.
- ✗ We do not use forged twistlock pins.
- ✓ Our MHC spreaders come equipped with floating twistlock guide/pin assemblies on all 4 pick-up points.
- ✓ Deposit plungers prevent the twistlock pins from turning unless the corner are properly landed on a container.



### ▪ Quality Spreaders & Committed Service

- ✓ EARLS Spreaders are built to order in a single facility and our product quality, support, and service are second to none.
- ✓ When you buy an EARLS spreader, in addition to getting a great product you are creating a lasting relationship.



### Performance Data:

Flippers Up (2 from 0° to 180°)	4 seconds
Flippers Down (2 from 180° to 0°)	4 seconds
Twistlock Pins (90° either way)	~1.5 seconds

Fatigue: 1,200,000 cycles to AISC Specs.

Capacity: 70,000 lbs ±10% eccentricity (20')  
70,000 lbs ±10% eccentricity (40')

Tare: 5,440 lbs (20' model)  
7,130 lbs (40' model)

Materials: ASTM A514

Paint: 3 Coat System (Devoe)

- Inorganic Zinc Primer
- Epoxy Intermediate Coat
- Acrylic Epoxy Gloss Coat

### Miscellaneous:

- 12 V control circuits
- 2 Corner hydraulic flipper guides
- Floating twistlock assembly